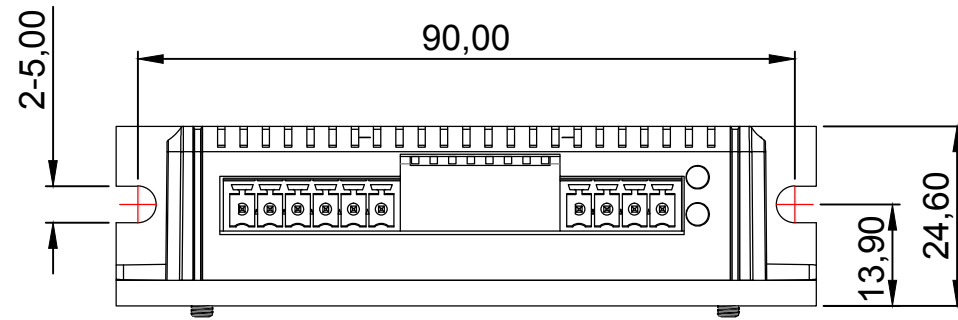


1 2 3 4 5 6 7 8

A



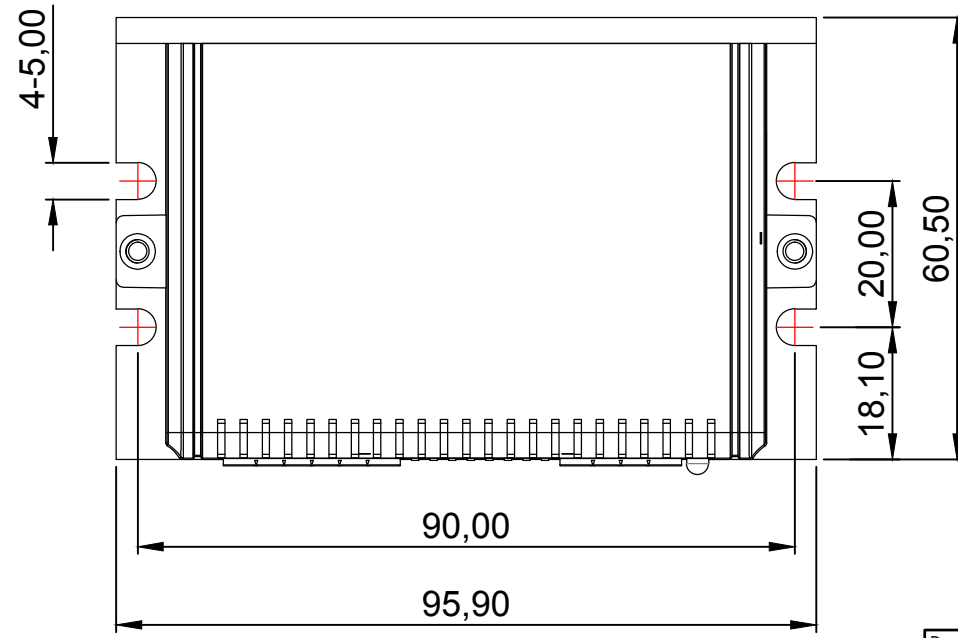
A

B

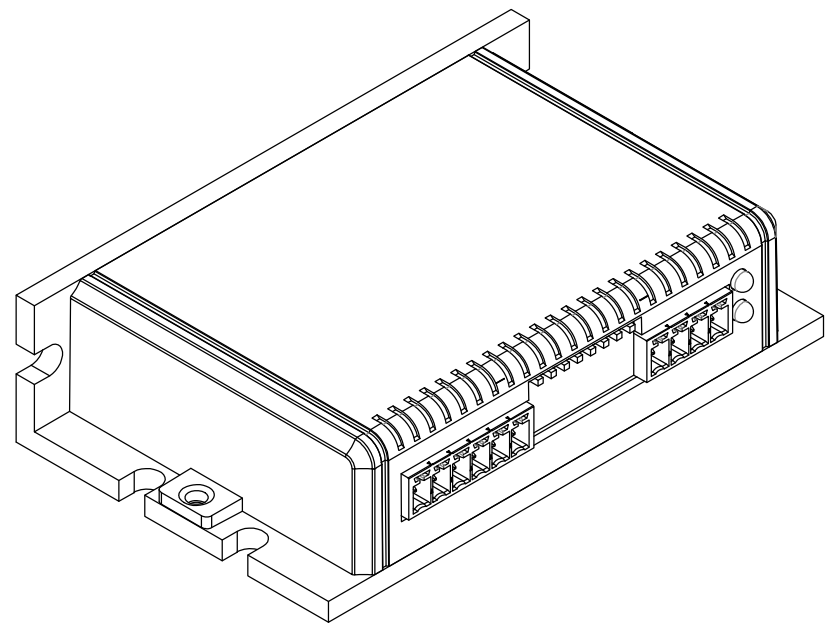
B

C

C




D



E

F

1 2 3 4 5 6 7 8

Dept.	Technical reference	Created by	Approved by
		Document type	Document status
		Title	
		Rev.	Date of issue
		Sheet	

MD2-420