

1 2 3 4 5 6 7 8

A

A

B

B

C

C

D

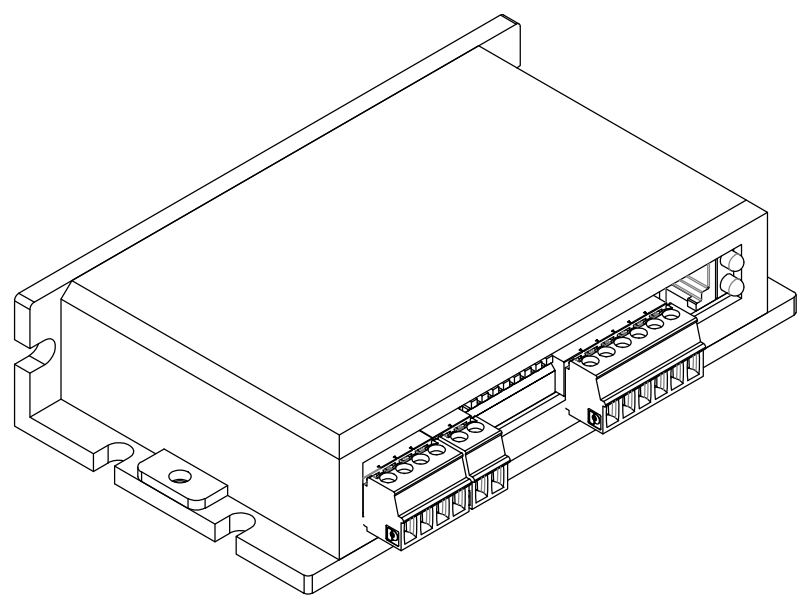
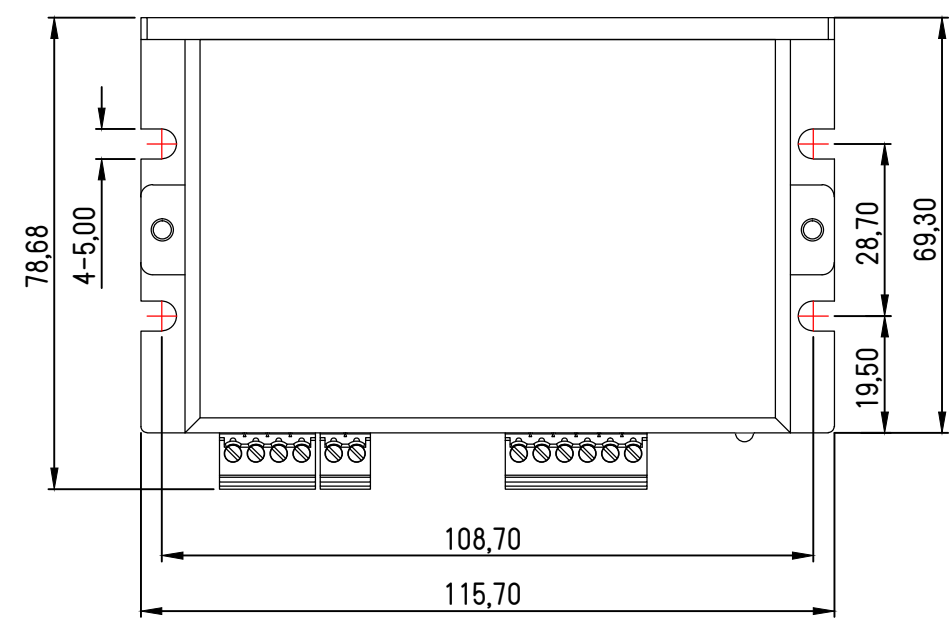
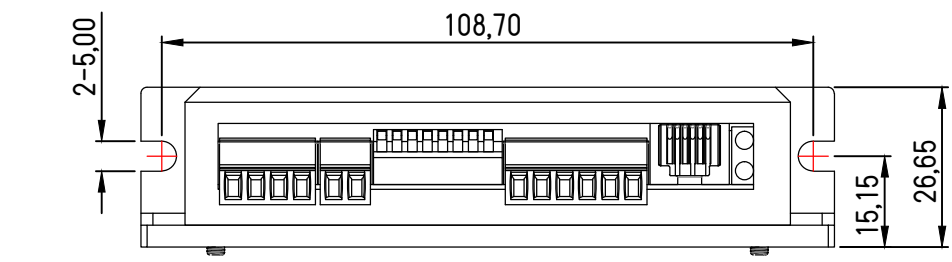
D


E

E

F

F



Dept.	Technical reference	Created by	Approved by
		Document type	Document status
		Title	STEPPER DRIVES
		Rev.	Date of issue
		Sheet	

1 2 3 4 5 6 7 8