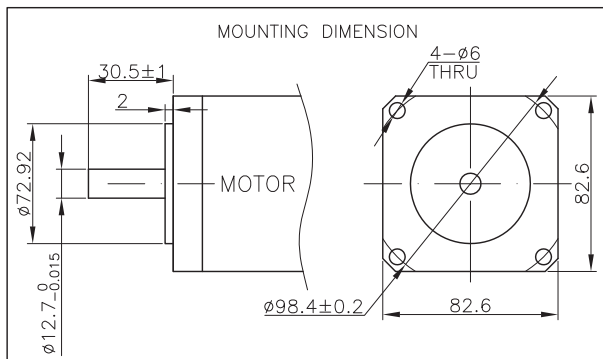


NOTE:

1. VOLTAGE: 24VDC
2. STATIC TORQUE: 1.68Nm
3. MOMENT OF INERTIA: 0.333Kg.cm²
4. RATED CURRENT: 0.41A
5. POWER: 9.8W
6. RESISTENCE: 580hms
7. START VOLTAGE: 15VDCMAX
8. HI-POT: 500VAC/1S, 2mA
9. POWER OFF BRAKE



NOTE: THIS DRAWING HAS BEEN CREATED BY AUTOCAD. MANUAL REVISIONS ARE NOT ALLOWED.

MATERIAL		TOLERANCE UNLESS OTHERWISE SPECIFIED ISO 2768-1 MEDIUM			
DRAWN ZQY	CHECKED	APPROVED - DATE	FILENAME	DATE xx/xx/xx	SCALE N/A
			BRAKE		
			MBC034-24-012		