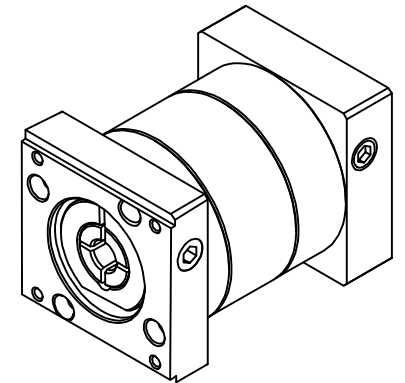



SPECIFICATIONS

Stage	1				
Gear Ratio	i	3:1	5:1	7:1	10:1
Max. Output torque	Nm	19			
Max radial load	N	1200			
Max axial load	N	1050			
Max input speed	RPM	10000			
Backlash	acrmin	≤6 (precision)			
Noise level	dB(A)	≤60			
Operating temp.	°C	-25~90			
Lifetime	Hrs	20000			
Efficiency	%	≥ 96			
Protection Level		IP64			
Compatible with Macron		MSA-PSC & MSA-SB1			
Weight	Kg	1.2			
Tightening Clamp Torque	N.m/in-lbs	3.92/34.71			

NOTES:

Unless Otherwise Specified
 All Angles $\pm 0.5^\circ$
 Break All Edges 0.2mm-0.8mm
 Decimals .X $\pm 0.2/$.XX ± 0.05
 T.I.R $\square 0.05$ $\square 0.05$ $\square 0.05$



Unit: mm	Technical reference Scale: 1:1.5	Approved by	
		Document type	Document status
		Title MPS60-XXX-06-LMA	
Rev.		Date of issue	Sheet

GEARBOX